

R1850DB

Multimedia Speaker

Suit 2207, 22nd floor,
Tower II, Lippo centre,
89 Queensway
Hong Kong

Tel: +852 2522 6989
Fax: +852 2522 1989
www.edifier.com

© 2017 Edifier International Limited. All rights reserved.
Printed in China

NOTICE:

For the need of technical improvement and system upgrade, information contained herein may be subject to change from time to time without prior notice.

Products of EDIFIER will be customized for different applications. Pictures and illustrations shown on this manual may be slightly different from actual product. If any difference is found, the actual product prevails.

User manual | Manuel d'utilisateur | Manual de usuario | Bedienungsanleitung |
Manuale dell'utente | Manual do utilizador

Important Safety Information

WARNING: To reduce risk of fire or electric shock, do not expose this apparatus to rain or moisture.
Thank you for purchasing Edifier R1850DB active speakers. Please read this manual carefully before operating this system.



The lightning flash with arrowhead inside the triangle, is intended to alert the user to the presence of un-insulated dangerous voltage within the product's enclosure that may be of a sufficient magnitude to constitute a risk of electric shock to persons.



To prevent the risk of electric shock, do not remove cover (or back). No user-serviceable Parts inside. Refer servicing to qualified Service personnel only.



The exclamation point inside the triangle is intended to alert the user to the presence of important operating and maintenance (servicing) instructions in the literature accompanying the product.

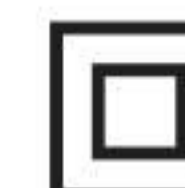
1. Read these instructions.
2. Keep these instructions.
3. Heed all warnings.
4. Follow all instructions.
5. Clean only with dry cloth.
6. Do not use this apparatus near water and never put this apparatus into liquids or allow liquids to drip or spill onto it.
7. Do not place appliance filled with water on this apparatus, such as vase; nor place any form of open fire such as lit candle.
8. Do not block any ventilation openings. Please leave enough space around the speakers to keep good ventilation (the distance should be above 5cm). Install in accordance with the manufacturer's instructions.
9. Do not install near any heat sources such as radiators, heat registers, stoves, or other apparatus (including amplifiers) that produce heat.
10. Do not defeat the safety purpose of the polarized or grounding-type plug. A polarized plug has two blades with one wider than the other. A grounding type plug has two blades and a third grounding prong. The wide blade or the third prong are provided for your safety. If the provided plug does not fit into your outlet, consult an electrician for replacement of the obsolete outlet.
11. Protect the power cord from being walked on or pinched particularly at plugs, convenience receptacles, and the point where they exit from the apparatus.
12. Only use attachments/accessories specified by the manufacturer.
13. Unplug this apparatus during lightning storms or when unused for long periods of time.
14. Refer all servicing to qualified service personnel. Servicing is required when the apparatus has been damaged in any way, such as power-supply cord or plug is damaged, liquid has been spilled or objects have fallen into the apparatus, the apparatus has been exposed to rain or moisture, does not operate normally, or has been dropped.
15. The MAINS plug is used as the disconnect device, the disconnect device shall remain readily operable.
16. Using the product in a 0-35 °C environment is recommended.
17. Do not use strong acid, strong alkali and other chemical solvents to clean the product surface. Please use neutral solvent or water to clean the product.



Use only with the cart, stand, tripod, bracket, or table specified by the manufacturer, or sold with the apparatus. When a cart is used, use caution when moving the cart/apparatus combination to avoid injury from tip-over.



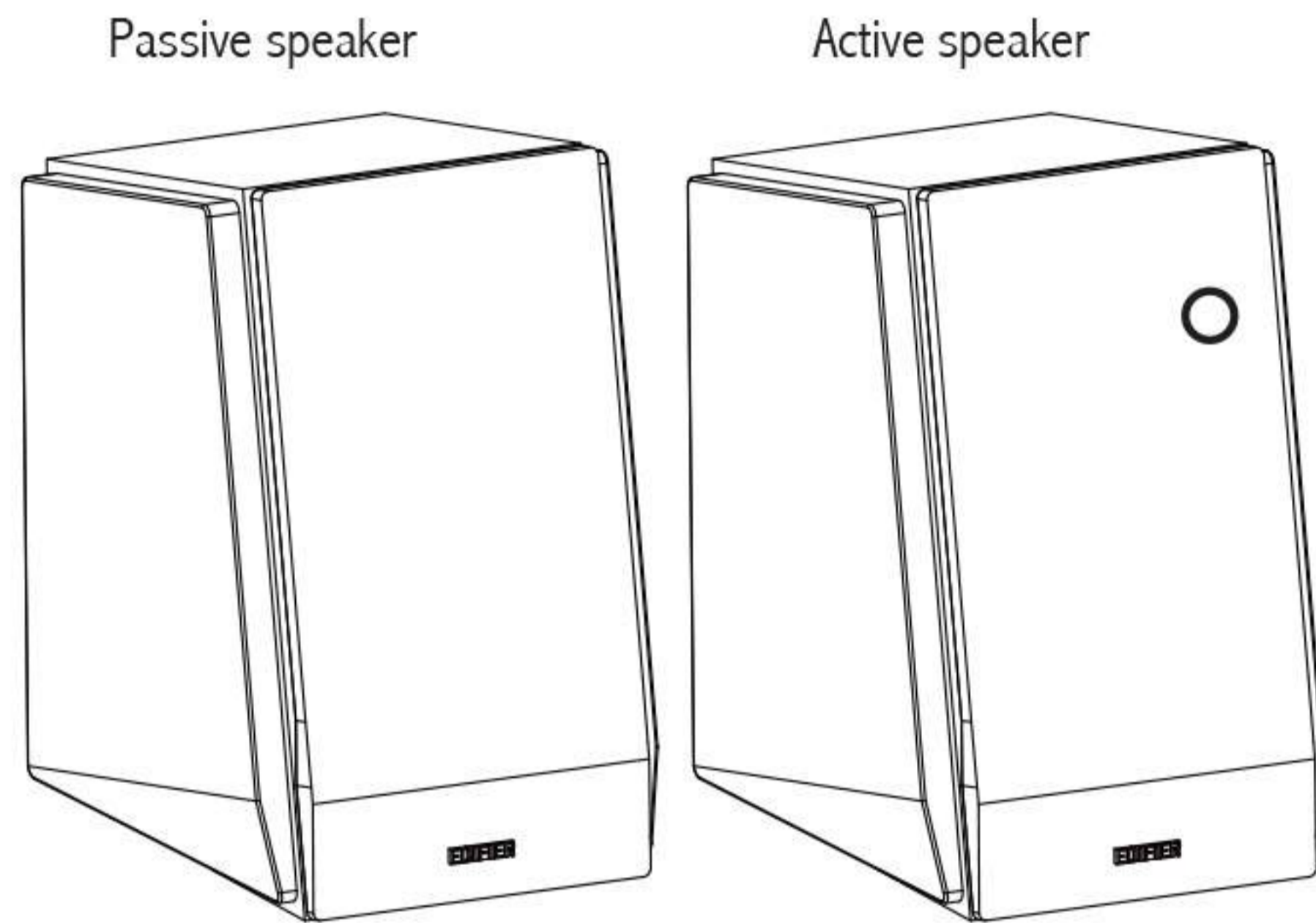
Correct Disposal of this product. This marking indicates that this product should not be disposed with other household wastes throughout the EU. To prevent possible harm to the environment or human health from uncontrolled waste disposal, recycle it responsibly to promote the sustainable reuse of material resources. To return your used device, please use the return and collection systems or contact the retailer where the product was purchased. They can take this product for environmental safe recycling.



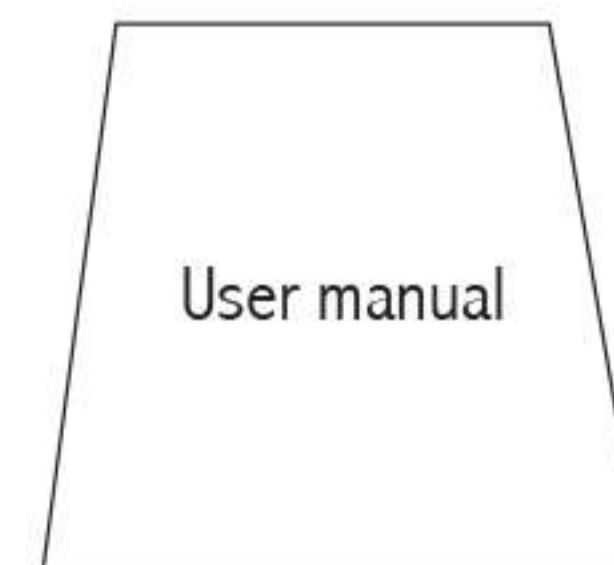
This equipment is a Class II or double insulated electrical appliance. It has been designed in such a way that it does not require a safety connection to electrical earth.

What's in the box

Box content



Remote control



User manual



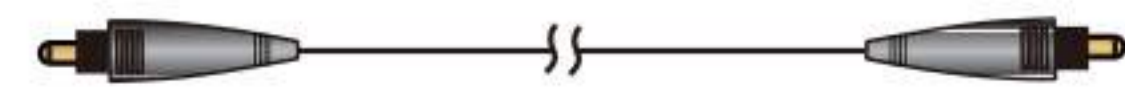
3.5mm-RCA audio cable (1.7M / 5.5ft)



RCA to RCA audio cable (1.7M / 5.5ft)



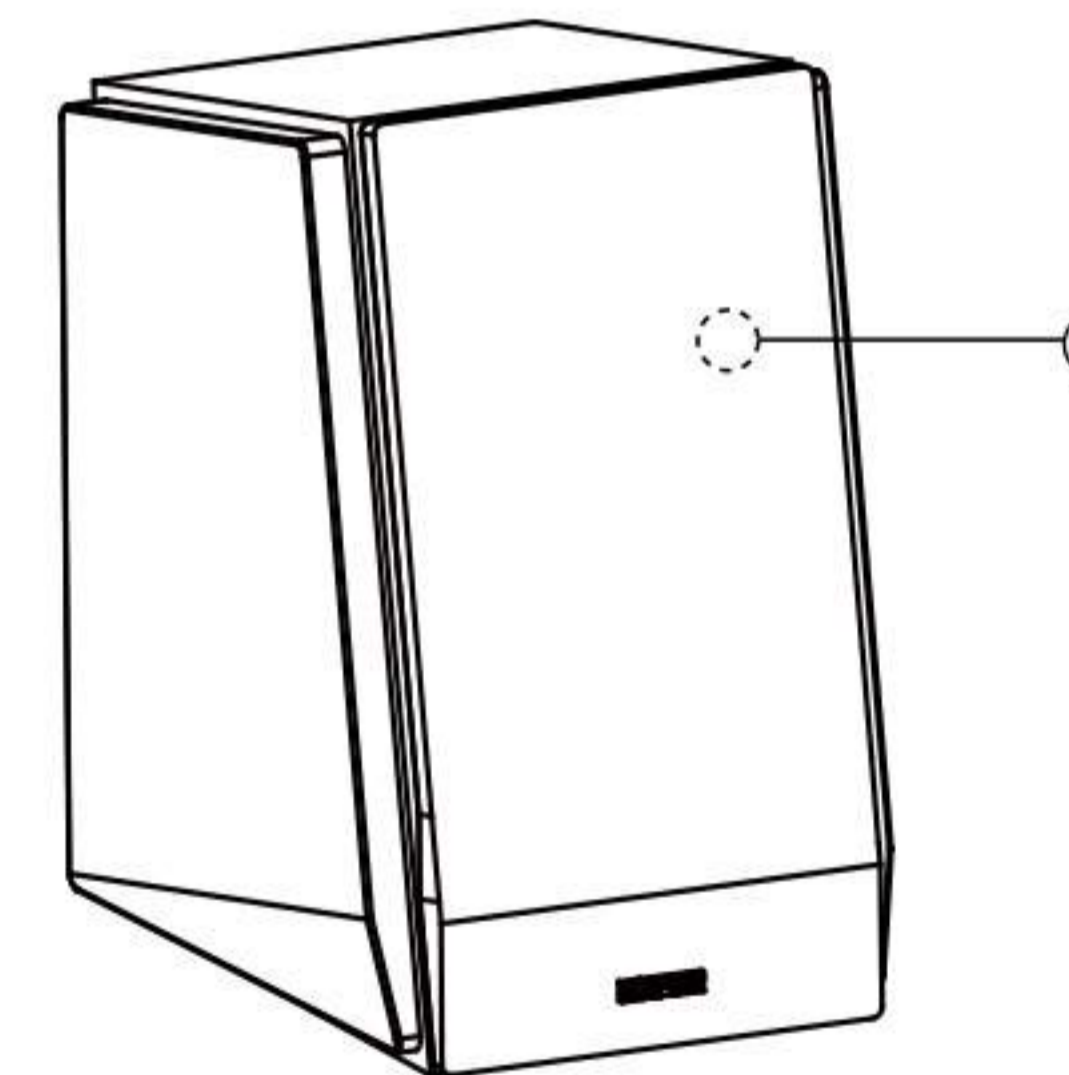
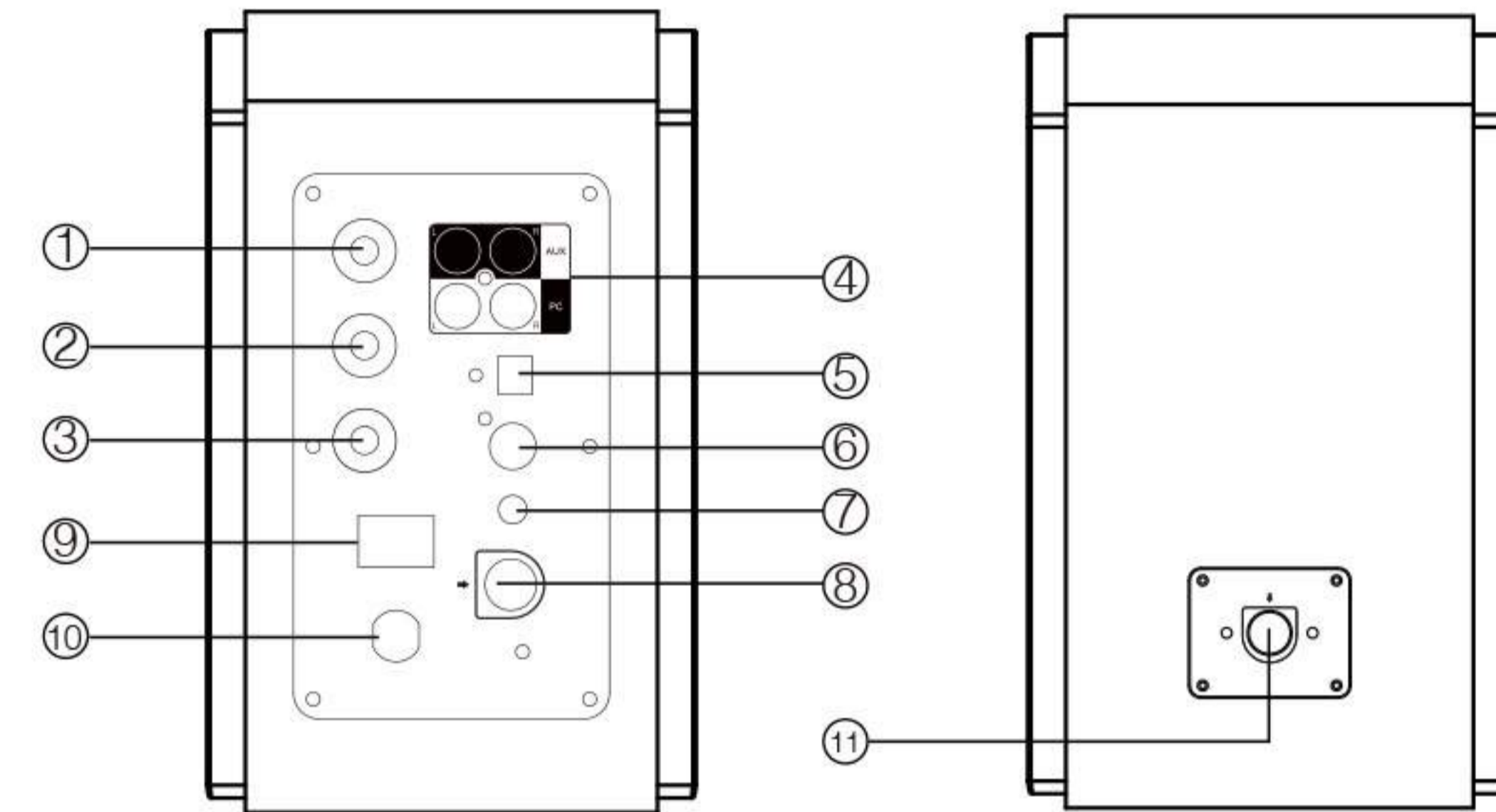
Speaker connecting cable (5M / 16ft)



Fiber optic input cable (1.5M / 5ft)

Control panel

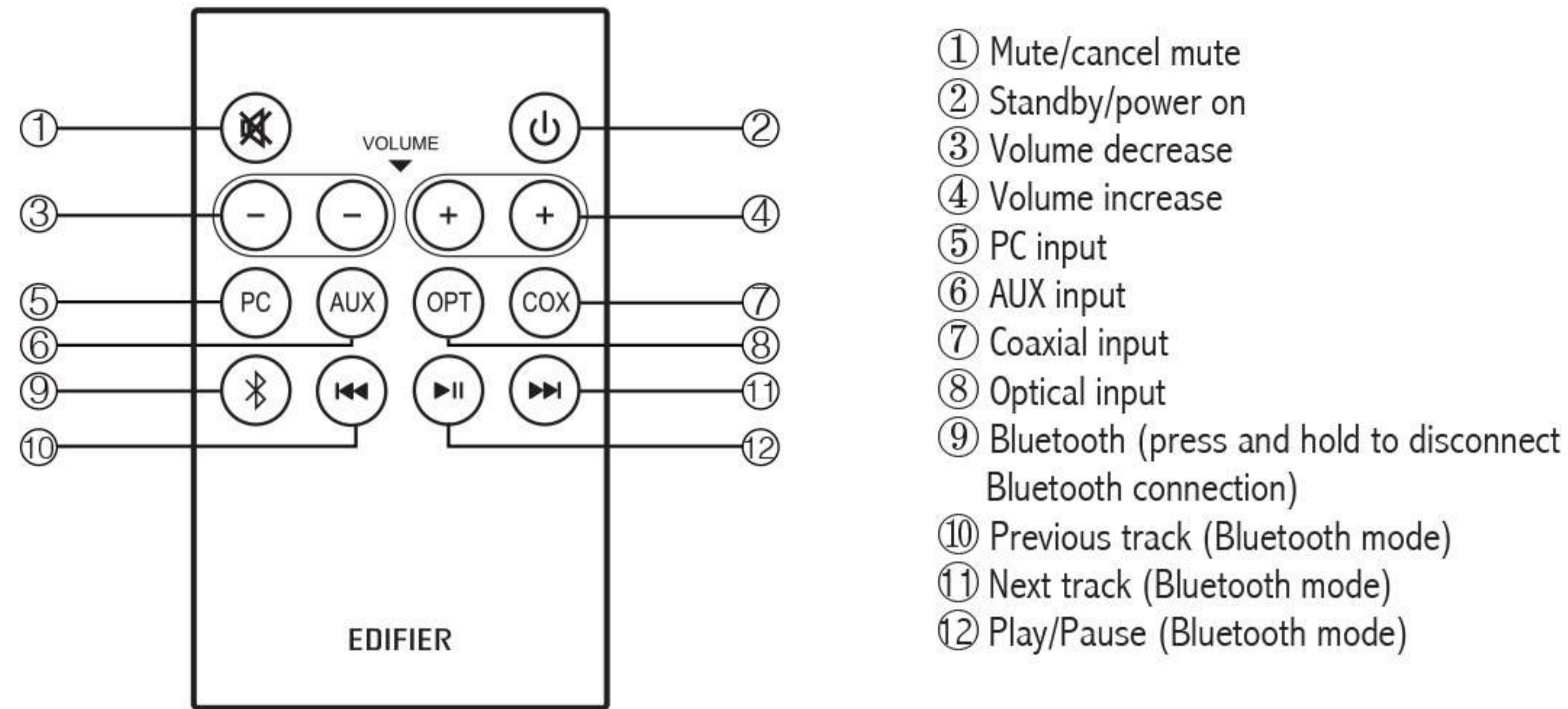
Illustration



- ① Treble dial
- ② Bass dial
- ③ Master volume dial
Press to switch audio source: PC > AUX > OPT > COX > Bluetooth
Press and hold: Disconnect Bluetooth connection
- ④ Line-in input port
- ⑤ Optical input port
- ⑥ Coaxial input port
- ⑦ Bass output
- ⑧ Connect to passive speaker port
- ⑨ Power switch
- ⑩ Power cord
- ⑪ Connect to active speaker port
- ⑫ LED indicator:
Blue: Bluetooth mode
Green: PC mode (The light will flash once) AUX mode (The light will flash twice)
Red: Optical mode (The light will flash once) Coaxial mode (The light will flash twice)

Note: The illustrations in this user manual may differ from the product. Please previous with the product at your hand.

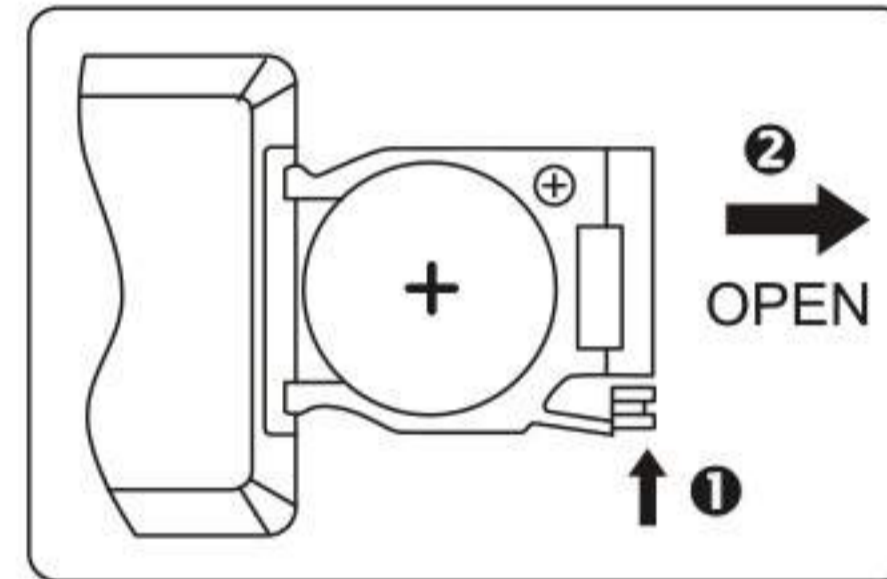
Remote Control



Replace battery in the remote control

Open the remote control battery compartment as shown in the right picture. Properly replace the battery and close the battery compartment.

Note: a CR2025 cell battery sealed with insulating film is already placed in the remote control compartment as factory standard. Please take off the insulating film before the first use.



⚠ WARNING!

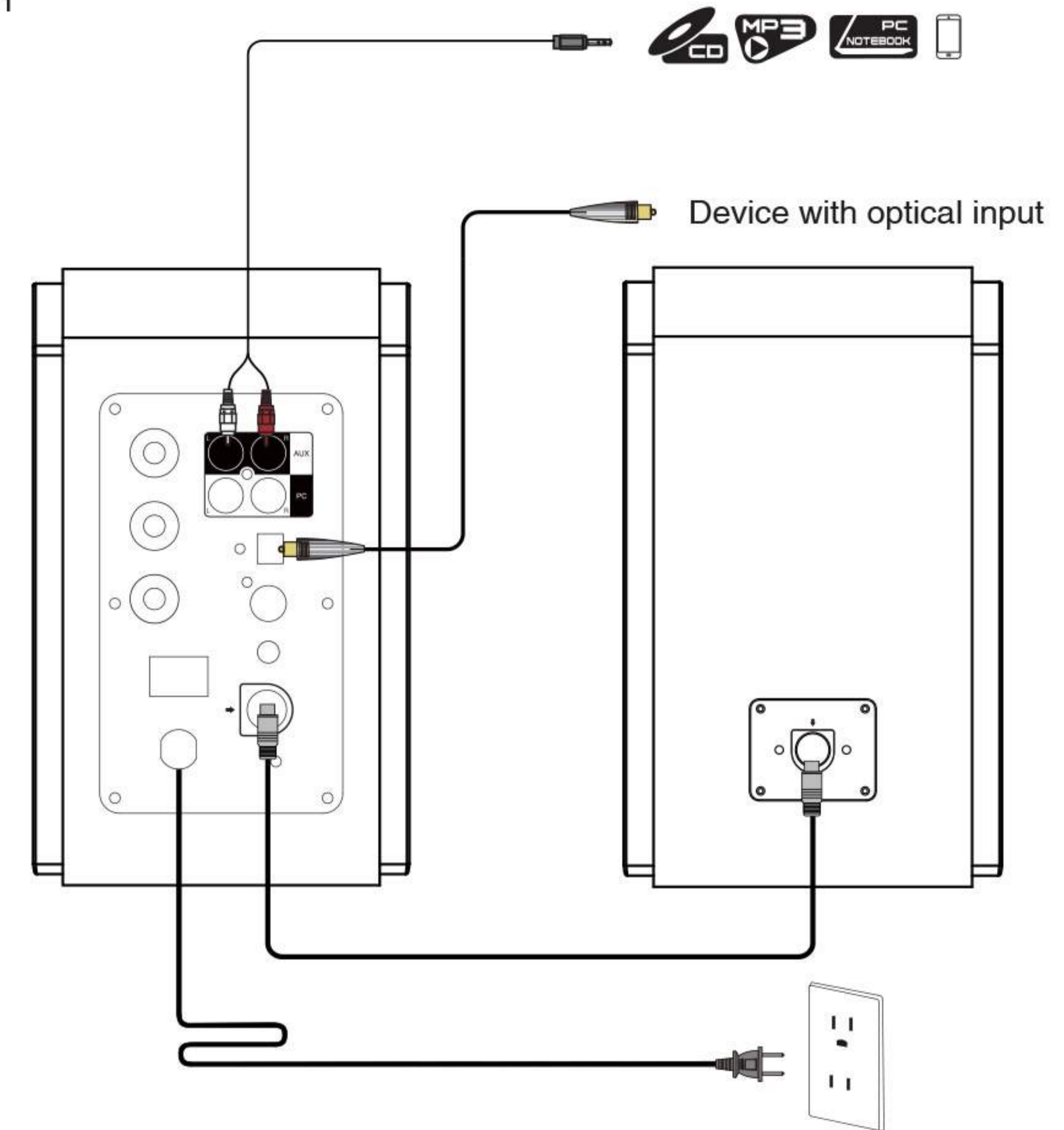
- * Do not swallow the battery. It can cause dangerous!
- * The product (the remote control included in the package) contains a cell battery. If it's swallowed, it can cause severe injuries and lead to death within 2 hours. Please keep the new and used batteries away from children.
- * If the battery compartment does not close securely, stop using the product and keep the remote control away from children.
- * If you think the battery may have been swallowed or placed inside any part of the body, seek immediate medical attention.

Note:

1. Do not expose the remote control to extreme heat or humidity.
2. Do not charge the batteries.
3. Remove the batteries when not in use for an extended period of time.
4. Do not expose the battery to excessive heat such as direct sun, fire, etc
5. Danger of explosion if battery is incorrectly replaced. Replace only with the same or equivalent type.

Operating Instructions

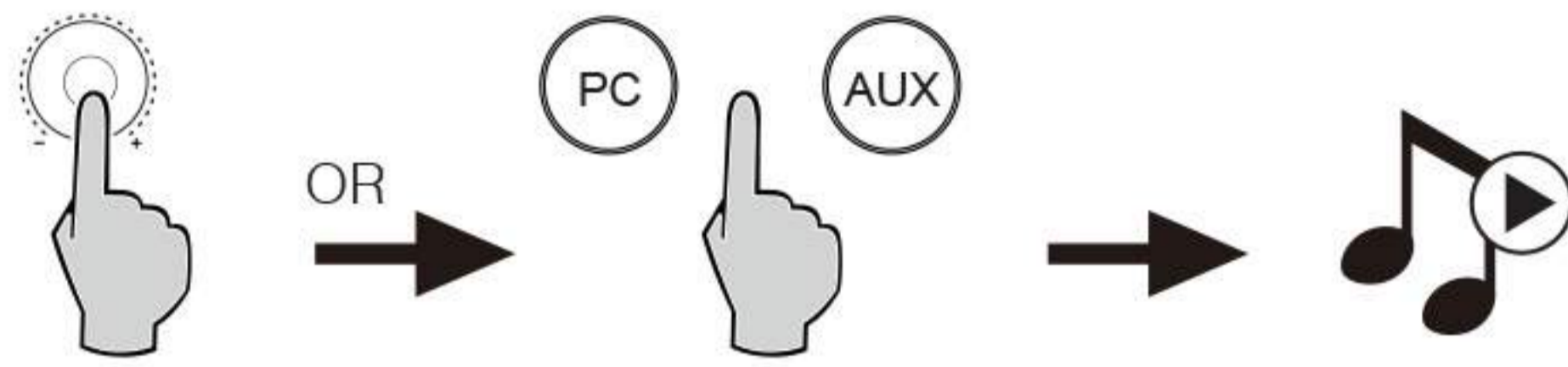
Connection



1. Use the included speaker connecting cable to connect the active speaker and the passive speaker.
2. Connect the speaker to the audio source device with the included audio cable.
3. Connect the power adaptor to the speaker, and then connect to power source.
4. Turn on the speaker. LED indicator on the active speaker indicates the current audio source. If it's not the intended inputting audio source, select the corresponding input by the remote control.

Audio source Input

PC/AUX Input



1. Connect the audio cable to the PC/AUX input port on the rear panel of the active speaker (please pay attention to the corresponding colors), and the other end to the audio source (i.e. PC, mobile phones and etc.).
2. Press PC/AUX button on the remote control or press the volume dial on the rear panel of the active speaker. The LED indicator on the active speaker turns to green: PC mode (The light will flash once), AUX mode (The light will flash twice)
3. Play music and adjust the volume to a comfortable level.

Optical/Coaxial Input



1. Connect the "Optical cable" or "Coaxial cable" (not included) to OPT/COX input port on the rear panel of the active speaker and device with optical and coaxial input.
2. Press OPT/COX button on the remote control or press the volume dial on the rear panel of the active speaker. The LED light on the active speaker turns to red: OPT mode (The light will flash once), COX mode (The light will flash twice)
3. Play music and adjust the volume to a comfortable level.

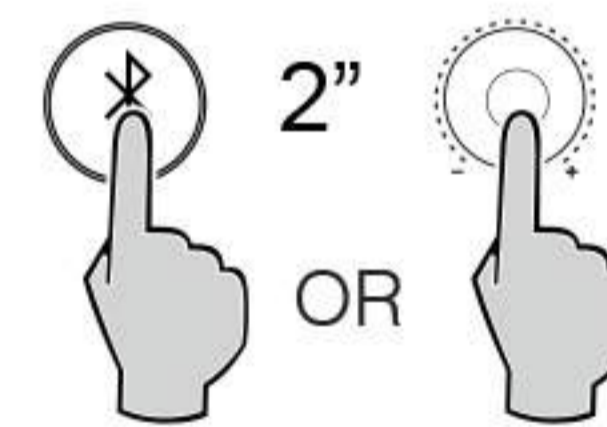
Note: In optical and coaxial modes, only PCM signal with 44.1KHz/48KHz can be decoded.

Bluetooth connection

Bluetooth®



1. Press key on the remote control or the master volume control of the active speaker to select Bluetooth mode. LED indicator turns to blue.
2. Turn on your Bluetooth device. Search and connect "EDIFIER R1850DB".



Disconnect Bluetooth: press and hold the volume dial or the key on the remote control for about 2 seconds to disconnect Bluetooth

Playback: Reconnect Bluetooth and play music

Note:

- * The Bluetooth on R1850DB can only be searched and connected after switching the speaker into Bluetooth input mode. The existing Bluetooth connection will be disconnected once the speaker is switched to other audio source. When the speaker is switched back to Bluetooth input mode, the speaker will try to connect to the last connected Bluetooth audio source device.
- * Pin code is "0000" if it is needed.
- * In order to use all Bluetooth features offered by the product, make sure your audio source device supports A2DP and AVRCP profiles.
- * The compatibility of the product may vary depending on the audio source device.

Specifications

Power Output:	R/L (treble): 16W+16W R/L (mid-range and bass): 19W+19W
Frequency response:	R/L: 60Hz-20KHz
Noise level:	≤ 25dB(A)
Audio inputs:	PC/AUX/Optical/Coaxial/Bluetooth

Troubleshooting

Problem	Solution
No sound	• Check if the power indicator light is ON
	• Try to turn up the volume using either the master volume control or remote control.
	• Ensure the audio cables are firmly connected and the input is set correctly on the speakers.
	• Check if there is a signal output from the audio source.
Cannot connect via Bluetooth	• Make sure the speaker is switched to Bluetooth input. If it is in other audio input modes, Bluetooth will not connect. Disconnect from any Bluetooth device by pressing and holding the volume dial in Bluetooth mode, then try again.
	• Effective Bluetooth transmission range is 10 meters; please ensure that operation is within the range.
	• Try another Bluetooth device for connection.
The R1850DB does not turn on	• Check if main power is connected, or if the wall outlet is switched on.

To learn more about EDIFIER, please visit www.edifier.com

For Edifier warranty queries, please visit the relevant country page on www.edifier.com and review the section titled Warranty Terms.

USA and Canada: service@edifier.ca

South America: Please visit www.edifier.com (English) or www.edifierla.com (Spanish/Portuguese) for local contact information.